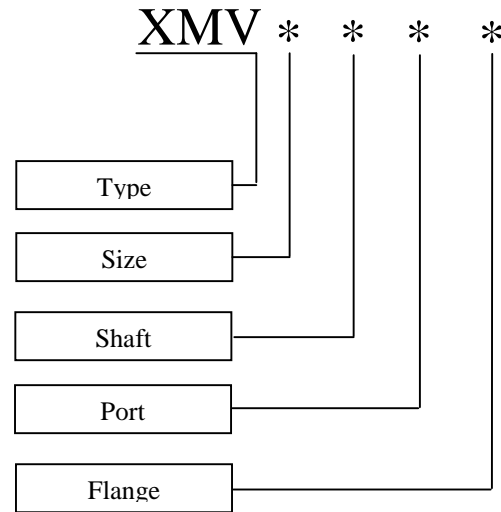


Orbit Hydraulic Motor



This series of motor are small volume, economical type, which adapt the gerotor gear set design and provide compact volume, high power and low weight.

- advanced manufacturing device for the gerotor gear set, which provide small volume, high efficiency and long life.
- Shaft seal which can be used in parallel or in series, can bear high pressure of motor
- Advanced construction design, high power and low weight.



Size	315	400	500	630	800	985
------	-----	-----	-----	-----	-----	-----

Shaft	P	P1	H4	H5
Ø	50	40	40	40
Key / Splined(*) shaft	14x9x70	12x8x45	8-40x35x7 *	6-40x35x10 *

Ports	Y	Y1	Y2	Y3	Y4	Y5
P(A,B)	G1	G3/4"	M33x2	M27x2	M22x1.5	M18x1.5
T	G1/4"	G1/4"	M14x1.5	M14x1.5	M14x1.5	M14x1.5

Technical data

TYPE	BMV-315	BMV-400	BMV-500	BMV-630	BMV-800	BMV-985	
Size(cm3)	314.9	399.7	496.6	617.8	787.4	969.1	
Max. pressure (bar)	240	240	240	210	180	180	
Max. Output Power (Kw)	32	40	40	40	35	24	
Max. Flow (L/min)	200	200	200	200	200	160	
Speed Range (r/min)	10-6300	9-500	8-400	6-315	5-250	5-160	
Max. Torque (Nm)	1119	1440	1783	1951	2122	2133	
Weight (kg)	30.7	31.5	32.4	33.6	35.2	37.2	
Length(mm)	B	19	26	34	44	58	73
	L	211	218	226	237	251	266
	L2	156	163	171	181	195	210

A7 code

